



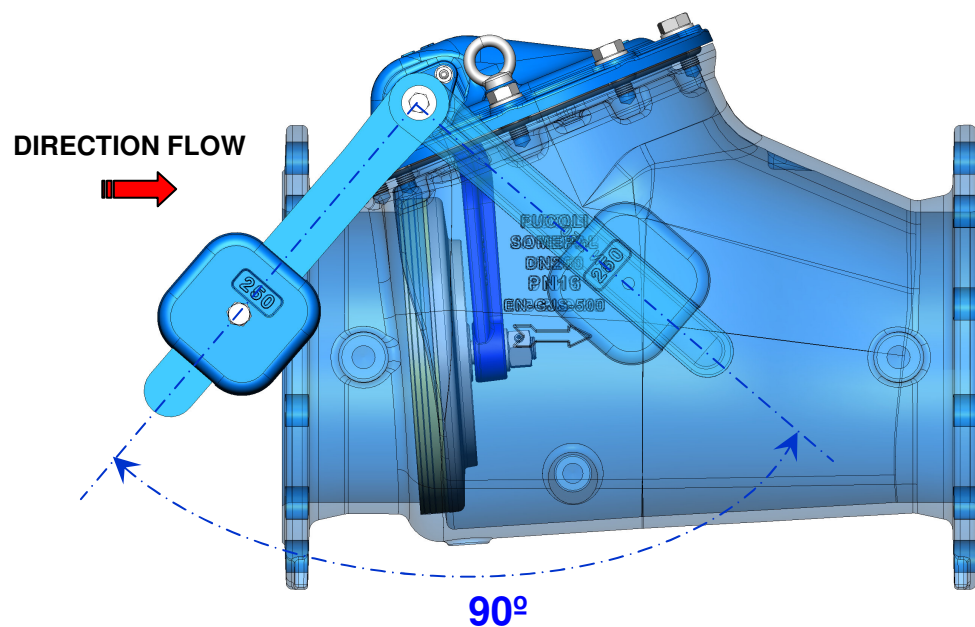
**Fucoli - Somepal**  
FUNDIÇÃO DE FERRO, S.A.



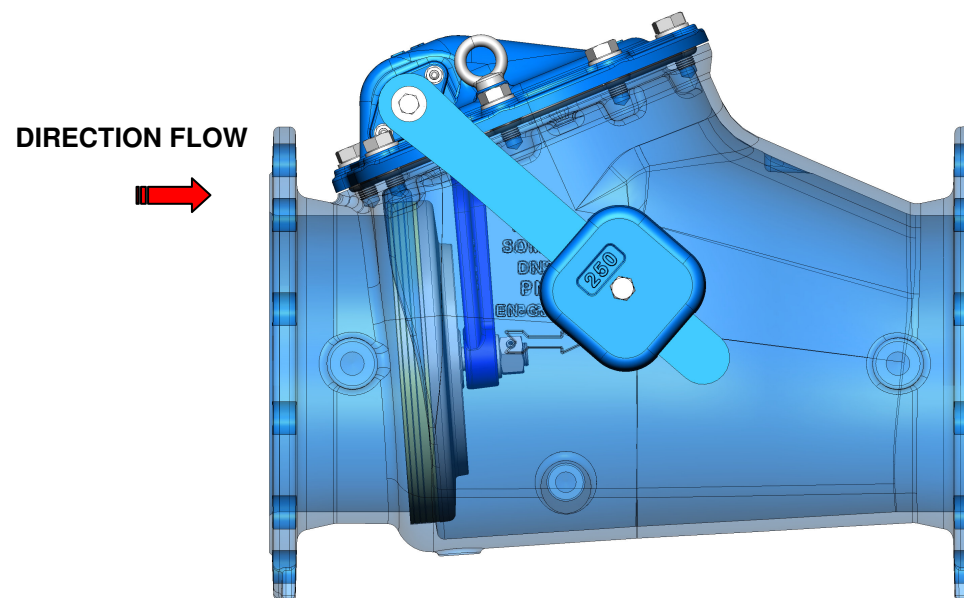
CUSTOMER INFORMATION Nº39/2011

Date: 05/12/2011  
Document not signed

## SWING CHECK VALVE WITH LEVER AND COUNTERWEIGHT SERIES SUPRA (LEVER POSITION)



Lever position to install the valve on vertical position.



Lever position to install the valve on horizontal position.

HEAD-OFFICE: Apartado 467 • Coselhas • 3001-906 Coimbra • PORTUGAL  
Tel.239 490 100 • Fax.239 490 198/99 • [sede@fucoli-somepal.pt](mailto:sede@fucoli-somepal.pt)

BRANCH OFFICE: Apartado 4 • Rua de Aveiro Nº50 • 3050-903 PAMPILHOSA • PORTUGAL  
Tel.231 947 000 • Fax. 231 949 292 • [filial@fucoli-somepal.pt](mailto:filial@fucoli-somepal.pt)

CONSULT US IN : [www.fucoli-somepal.pt](http://www.fucoli-somepal.pt)